

.1 Spacer provided in each pack
.Available in mild steel or 304 Stainless steel



Gardner
Engineering
Limited

Notes:

All Tolerances +/- 0.5% unless otherwise Stated
 All Measurements are Raw Materials Only and allowances are needed for Welding Tracks & any additional coatings such as Powder Coating / Spray Paints Etc

Part Number:

LOCK-SPACER-5MM-MS-RAL9005
 LOCK-SPACER-5MM-SS-RAL9005

Description:

305x40x5mm Spacer

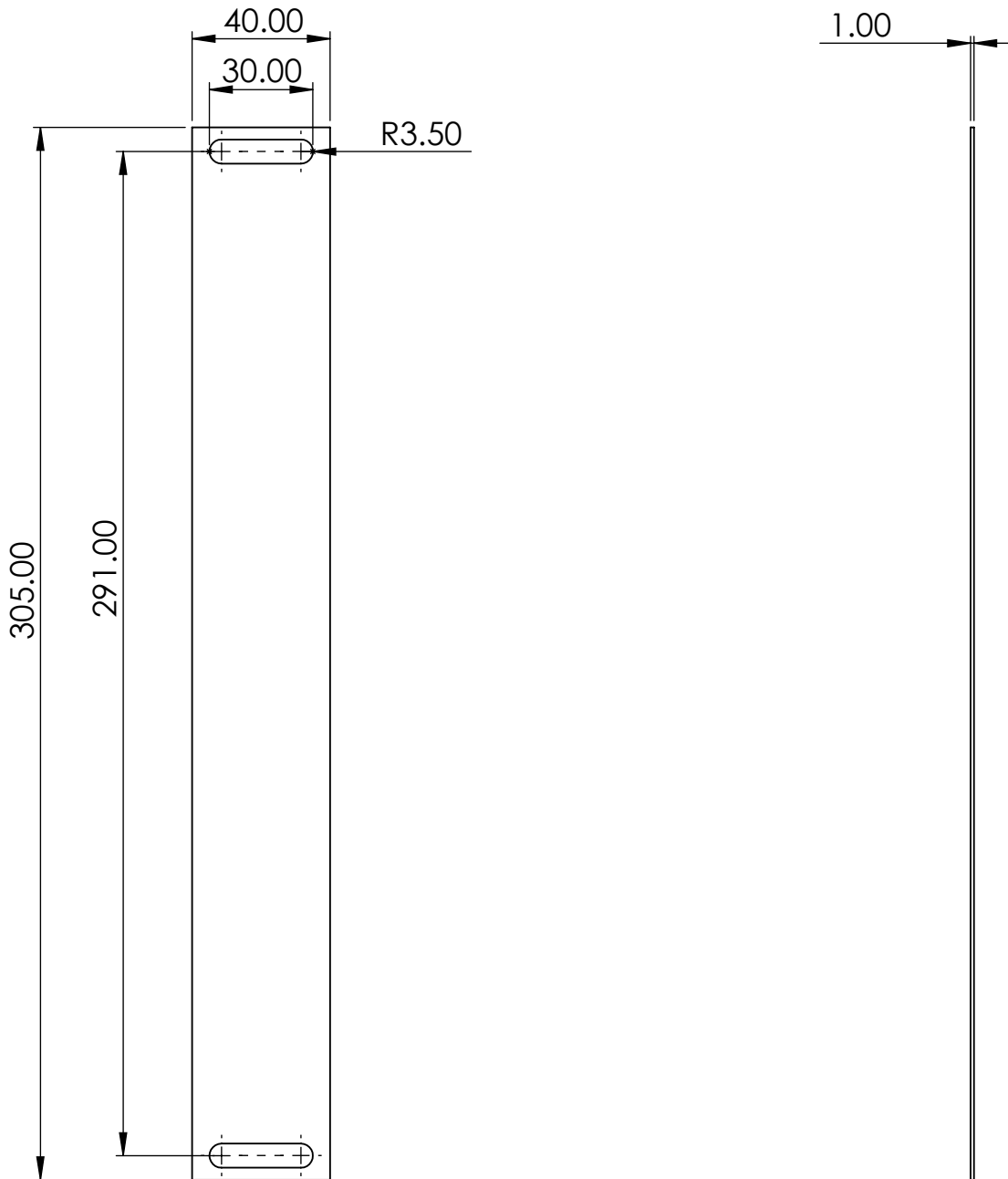
Date:

12 December 2025

Sheet Scale: 1:2

Sheet 1 Of 18

Gardner Engineering Limited (GE) makes no representation or warranties, express or implied, with respect to the reuse of the data provided herewith, regardless of its format or the means of its transmission. We make every effort to ensure accurate information, however there is no guarantee or representation to the user as to the accuracy, currency, suitability or reliability of this data. The user assumes all risks associated with its use. GE assumes no responsibility for actual or consequential damage incurred as a result of any user's reliance on this data



.1 Spacer provided in each pack
.Available in mild steel or 304 Stainless steel



Gardner
Engineering
Limited

Notes:

All Tolerances +/- 0.5% unless otherwise Stated
 All Measurements are Raw Materials Only and allowances are needed for Welding Tracks & any additional coatings such as Powder Coating / Spray Paints Etc

Part Number:

LOCK-SPACER-1MM-MS-RAL9005
 LOCK-SPACER-1MM-SS-RAL9005

Description:

305x40x1mm Spacer

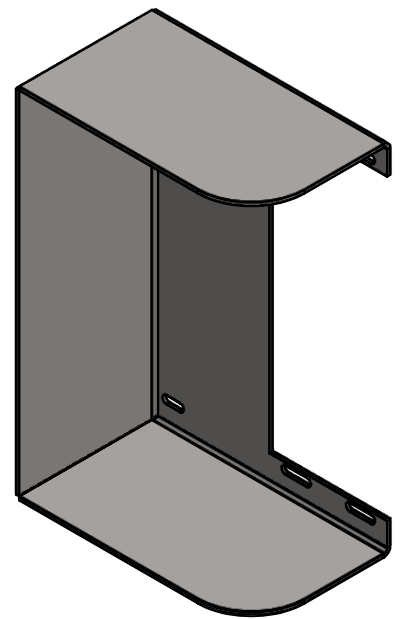
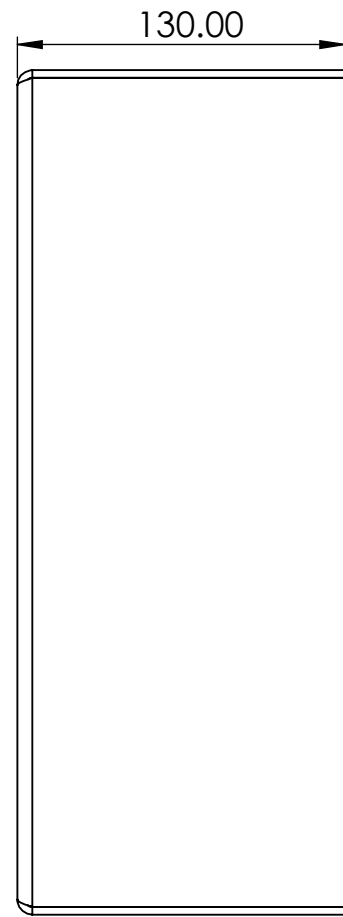
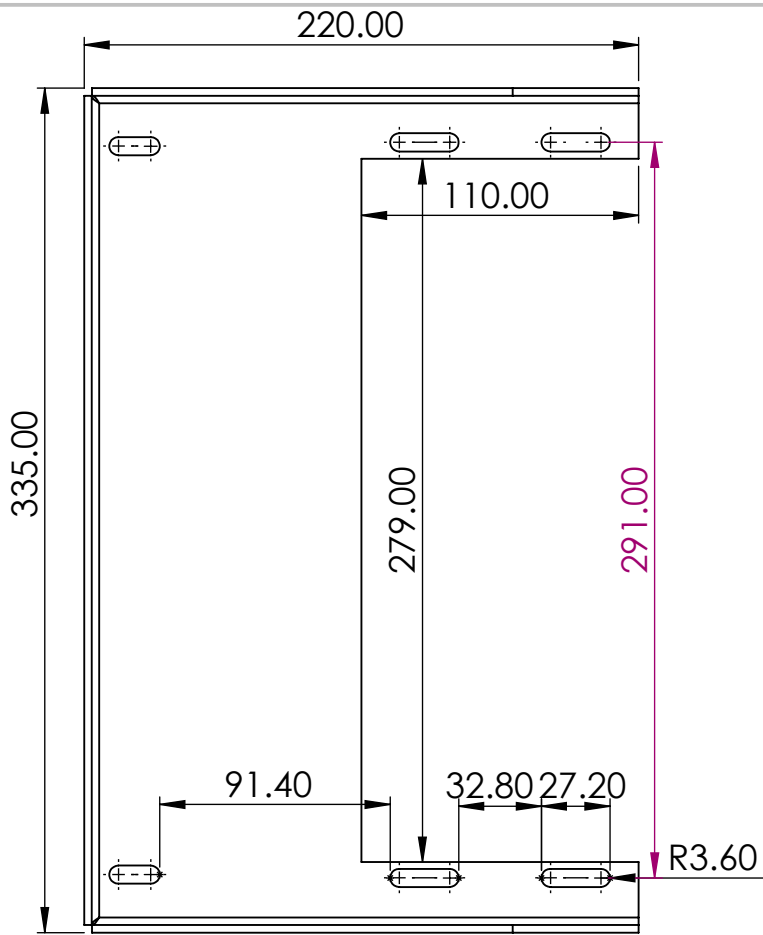
Date:

12 December 2025

Sheet Scale: 1:2

Sheet 2 Of 18

Gardner Engineering Limited (GE) makes no representation or warranties, express or implied, with respect to the reuse of the data provided herewith, regardless of its format or the means of its transmission. We make every effort to ensure accurate information, however there is no guarantee or representation to the user as to the accuracy, currency, suitability or reliability of this data. The user assumes all risks associated with its use. GE assumes no responsibility for actual or consequential damage incurred as a result of any user's reliance on this data



Material Thickness 3mm
Available in mild steel or 304 Stainless steel



Gardner
 Engineering
 Limited

Notes:

All Tolerances +/- 0.5% unless otherwise Stated
 All Measurements are Raw Materials Only and allowances are needed for Welding Tracks & any additional coatings such as Powder Coating / Spray Paints Etc

Part Number:

LOCK-SHROUD-UNI-MS-RAL9005
 LOCK-SHROUD-UNI-SS-RAL9005

Description:

220 x 130 x 130mm U Shaped Backing Plate
 UNIVERSAL

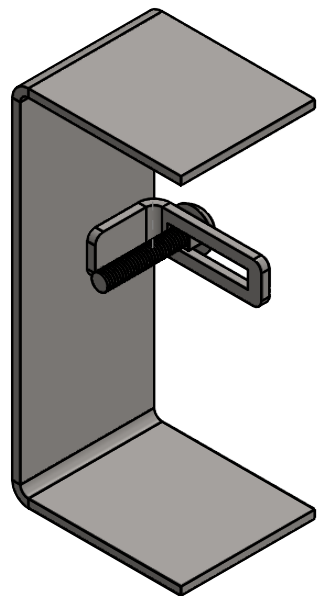
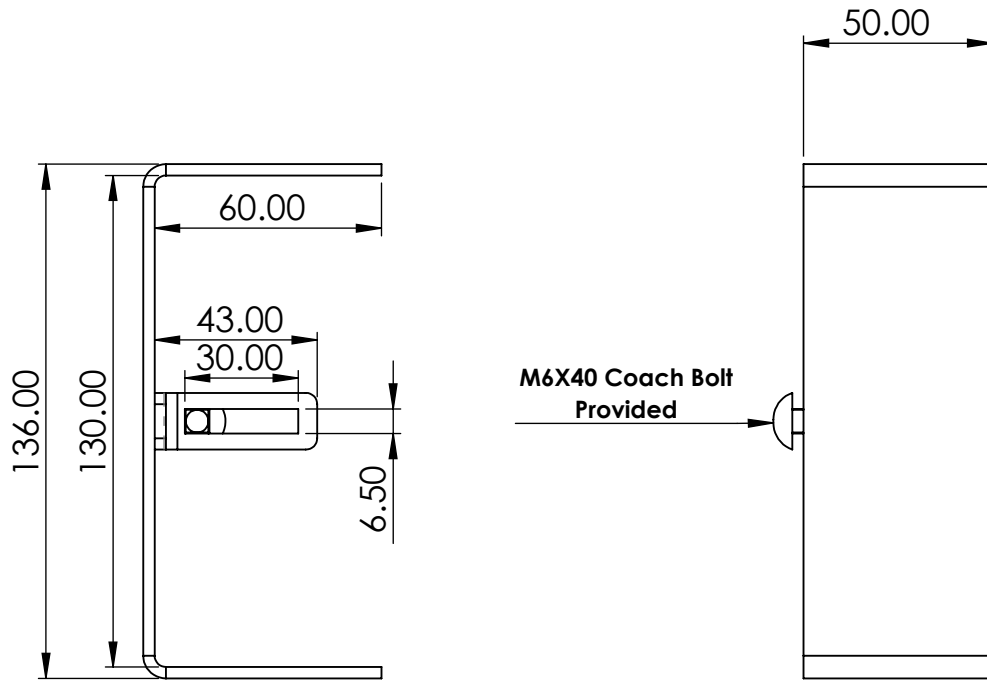
Date:

12 December 2025

Sheet Scale: 1:3

Sheet 3 Of 18

Gardner Engineering Limited (GE) makes no representation or warranties, express or implied, with respect to the reuse of the data provided herewith, regardless of its format or the means of its transmission. We make every effort to ensure accurate information, however there is no guarantee or representation to the user as to the accuracy, currency, suitability or reliability of this data. The user assumes all risks associated with its use. GE assumes no responsibility for actual or consequential damage incurred as a result of any user's reliance on this data



.Material Thickness 3mm
.Available in mild steel or 304 Stainless steel



**Gardner
Engineering
Limited**

Notes:

All Tolerances +/- 0.5% unless otherwise Stated
 All Measurements are Raw Materials Only and allowances are needed for Welding Tracks & any additional coatings such as Powder Coating / Spray Paints Etc

Part Number:

LOCK-COWL-UNI-MS-RAL9005
 LOCK-COWL-UNI-SS-RAL9005

Description:

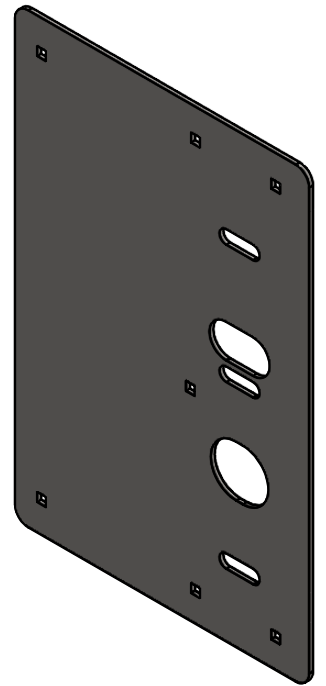
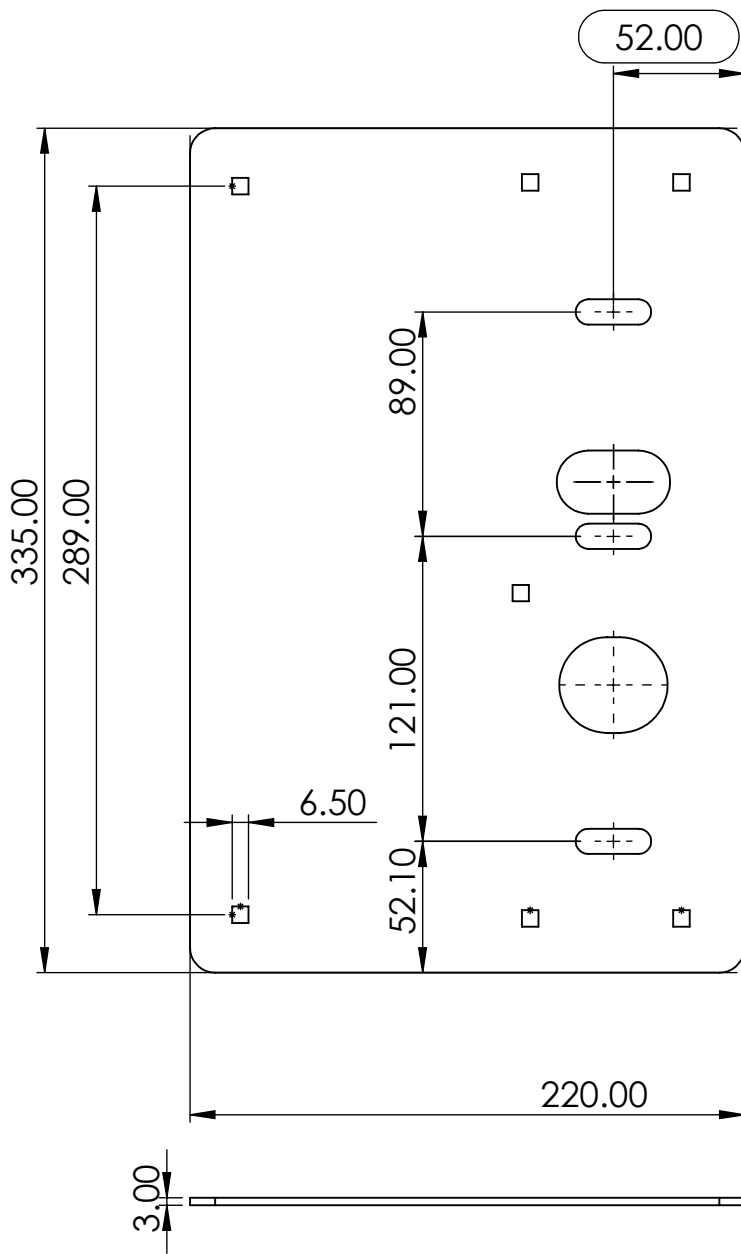
136X60 Universal Lock Cowl

Date:

12 December 2025

Sheet Scale: 1:2

Sheet 4 Of 18



.Material Thickness 3mm
.Available in mild steel or 304 Stainless steel



**Gardner
Engineering
Limited**

Notes:

All Tolerances +/- 0.5% unless otherwise Stated
 All Measurements are Raw Materials Only and allowances are needed for Welding Tracks & any additional coatings such as Powder Coating / Spray Paints Etc

Part Number:

101-0748 - MS/101-0841- SS

Description:

220x326x3mm EL560 --55mm-- Secure plate- Mild Steel-Stainless/Steel UNIVERSAL

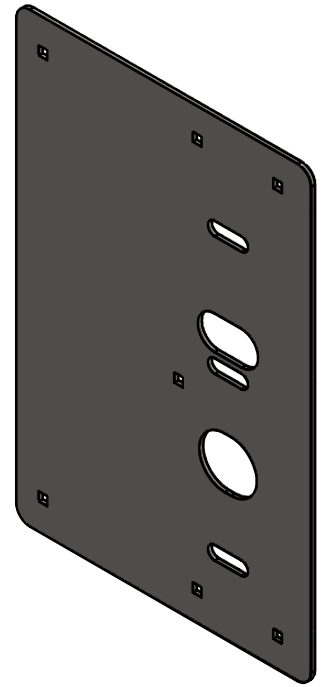
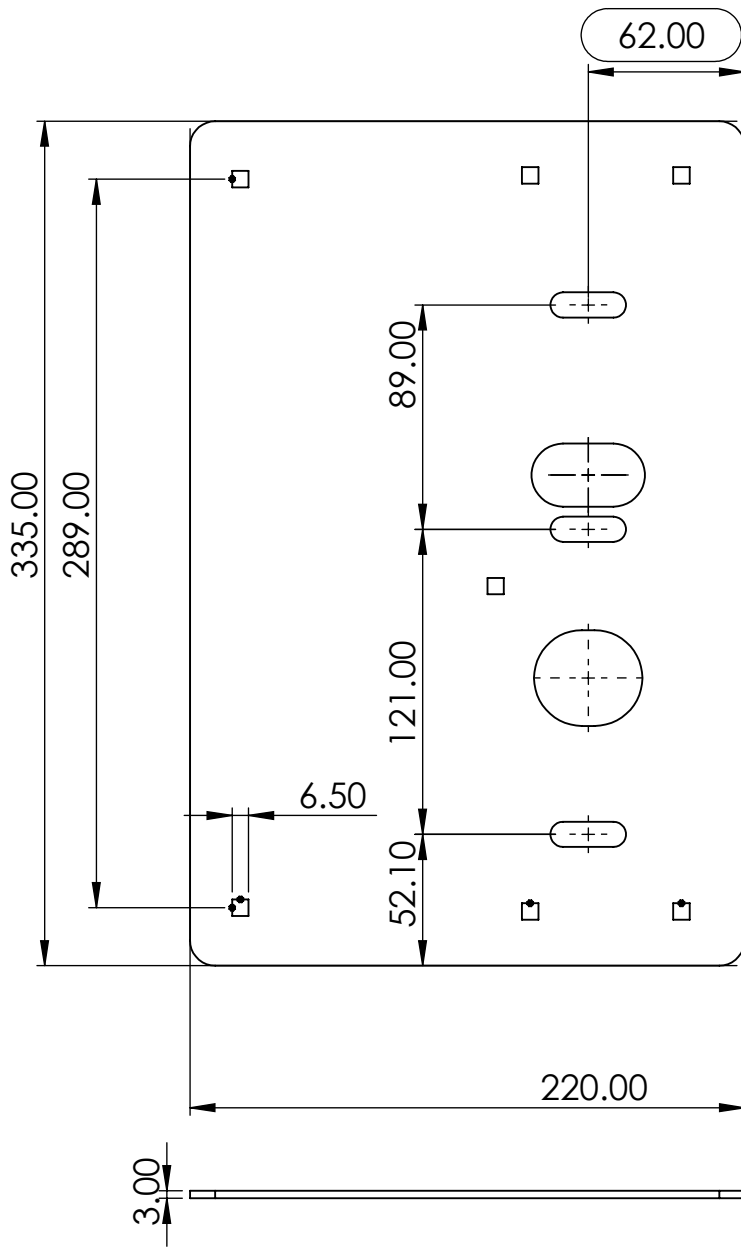
Date:

12 December 2025

Sheet Scale: 1:3

Sheet 5 Of 18

Gardner Engineering Limited (GE) makes no representation or warranties, express or implied, with respect to the reuse of the data provided herewith, regardless of its format or the means of its transmission. We make every effort to ensure accurate information, however there is no guarantee or representation to the user as to the accuracy, currency, suitability or reliability of this data. The user assumes all risks associated with its use. GE assumes no responsibility for actual or consequential damage incurred as a result of any user's reliance on this data



.Material Thickness 3mm
.Available in mild steel or 304 Stainless steel



Gardner
Engineering
Limited

Notes:

All Tolerances +/- 0.5% unless otherwise Stated
 All Measurements are Raw Materials Only and allowances are needed for Welding Tracks & any additional coatings such as Powder Coating / Spray Paints Etc

Part Number:

101-0832 - MS/101-0853 - SS

Description:

220x326x3mm EL560 --65mm-- Secure plate- Mild Steel-Stainless Steel UNIVERSAL

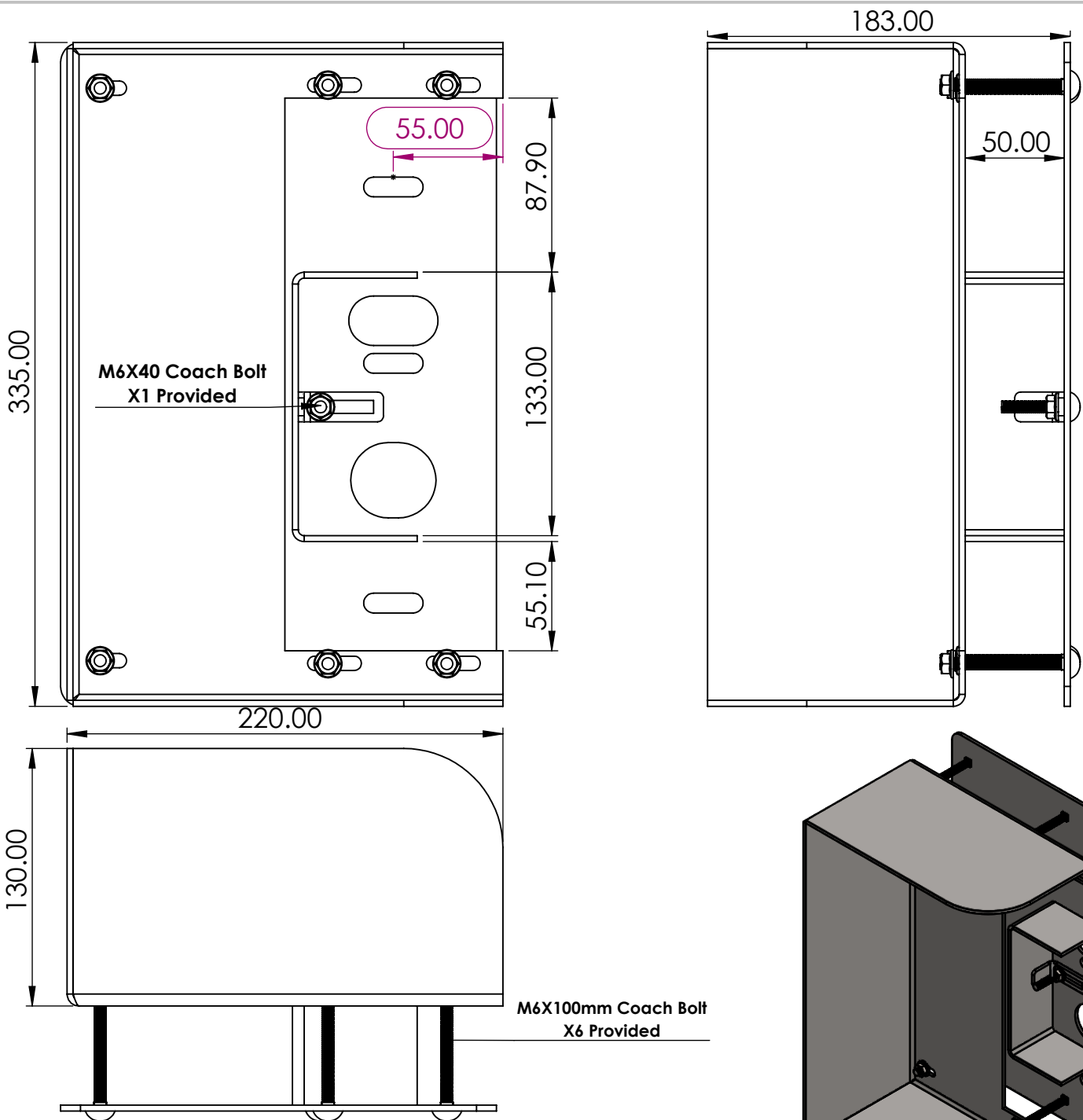
Date:

12 December 2025

Sheet Scale: 1:3

Sheet 6 Of 18

Gardner Engineering Limited (GE) makes no representation or warranties, express or implied, with respect to the reuse of the data provided herewith, regardless of its format or the means of its transmission. We make every effort to ensure accurate information, however there is no guarantee or representation to the user as to the accuracy, currency, suitability or reliability of this data. The user assumes all risks associated with its use. GE assumes no responsibility for actual or consequential damage incurred as a result of any user's reliance on this data



**.Material Thickness 3mm
 .Available in mild steel or 304 Stainless steel**



**Gardner
 Engineering
 Limited**

Notes:

All Tolerances +/- 0.5% unless otherwise Stated
 All Measurements are Raw Materials Only and allowances are needed for Welding Tracks & any additional coatings such as Powder Coating / Spray Paints Etc

Part Number:

LOCK-SHROUD-KIT-UNI-EL56X55-MS RAL9005
 LOCK-SHROUD-KIT-UNI-EL56X55-SS RAL9005

Description:

230x130x130 SHROUD COWL & PLATE KIT-
 UNIVERSAL X 55

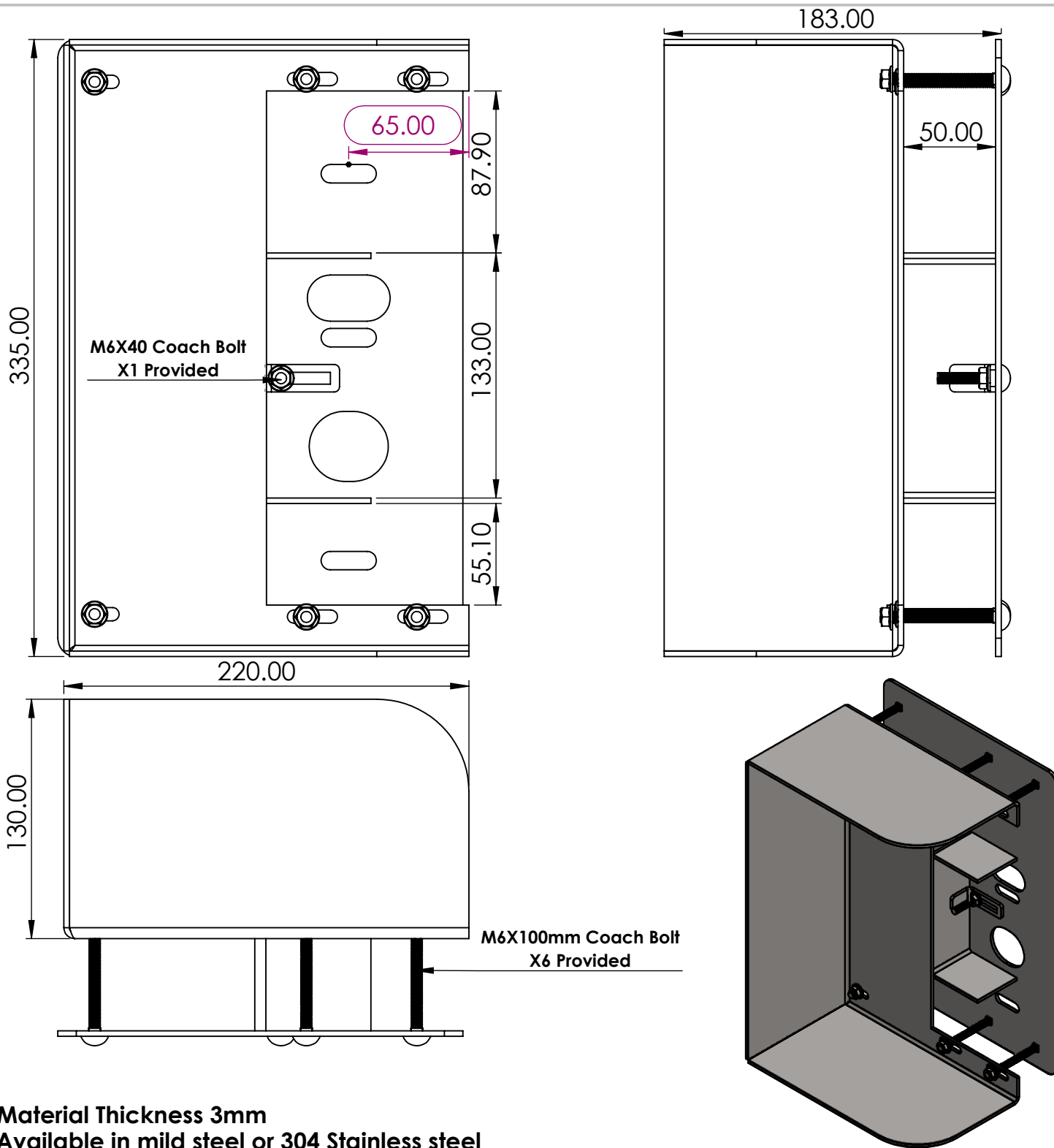
Date:

12 December 2025

Sheet Scale: 1:3

Sheet 7 Of 18

Gardner Engineering Limited (GE) makes no representation or warranties, express or implied, with respect to the reuse of the data provided herewith, regardless of its format or the means of its transmission. We make every effort to ensure accurate information, however there is no guarantee or representation to the user as to the accuracy, currency, suitability or reliability of this data. The user assumes all risks associated with its use. GE assumes no responsibility for actual or consequential damage incurred as a result of any user's reliance on this data



.Material Thickness 3mm
.Available in mild steel or 304 Stainless steel



Gardner Engineering Limited

Notes:

All Tolerances +/- 0.5% unless otherwise Stated
 All Measurements are Raw Materials Only and allowances are needed for Welding Tracks & any additional coatings such as Powder Coating / Spray Paints Etc

Part Number:

LOCK-SHROUD-KIT-UNI-EL56X65-MS RAL9005
 LOCK-SHROUD-KIT-UNI-EL56X65-SS RAL9005

Description:

230x130x130 SHROUD COWL & PLATE KIT-UNIVERSAL X 65

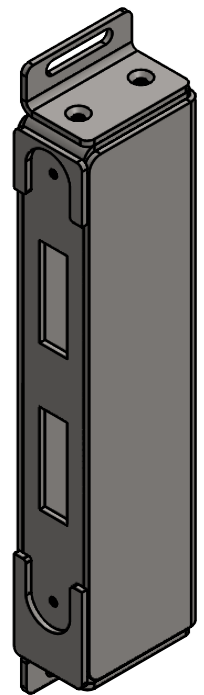
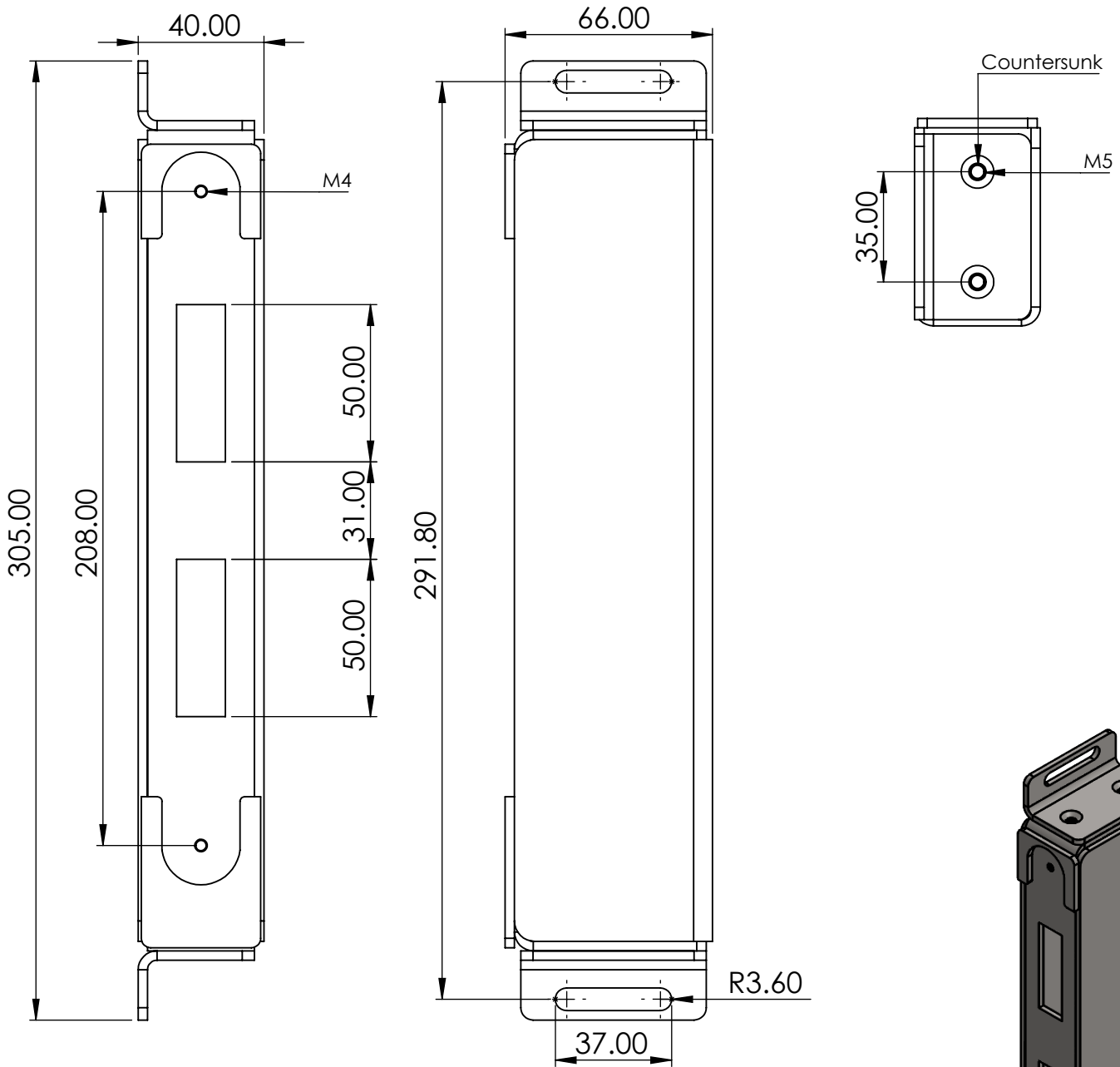
Date:

12 December 2025

Sheet Scale: 1:3

Sheet 8 Of 18

Gardner Engineering Limited (GE) makes no representation or warranties, express or implied, with respect to the reuse of the data provided herewith, regardless of its format or the means of its transmission. We make every effort to ensure accurate information, however there is no guarantee or representation to the user as to the accuracy, currency, suitability or reliability of this data. The user assumes all risks associated with its use. GE assumes no responsibility for actual or consequential damage incurred as a result of any user's reliance on this data



Material Thickness 3mm
Available in mild steel or 304 Stainless steel
M5 X 16 Countersunk screw X 4 provided
M4 X 10 Countersunk screw X 2 provided



**Gardner
Engineering
Limited**

Notes:

All Tolerances +/- 0.5% unless otherwise Stated
 All Measurements are Raw Materials Only and allowances are needed for Welding Tracks & any additional coatings such as Powder Coating / Spray Paints Etc

Part Number:

LOCK-KEEP-UNI-EL56-MS-RAL9005
 LOCK-KEEP-UNI-EL56-SS-RAL9005

Description:

UNIVERSAL LOCK KEEP ONLY (ASSA EL RANGE)

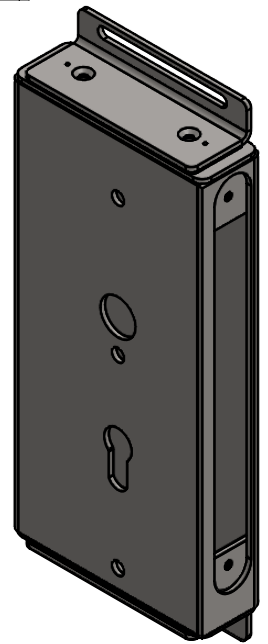
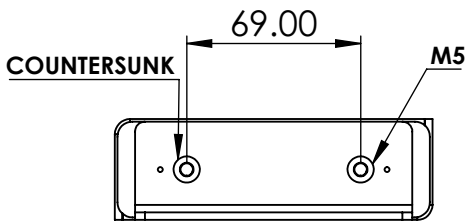
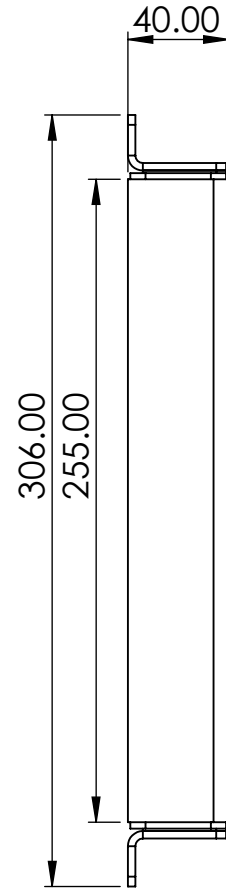
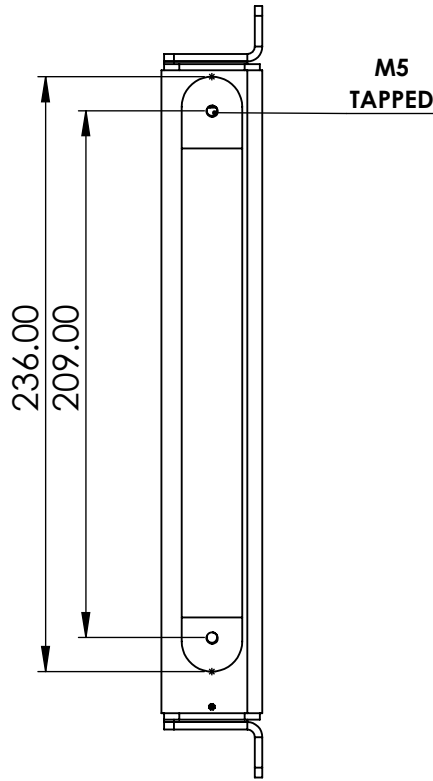
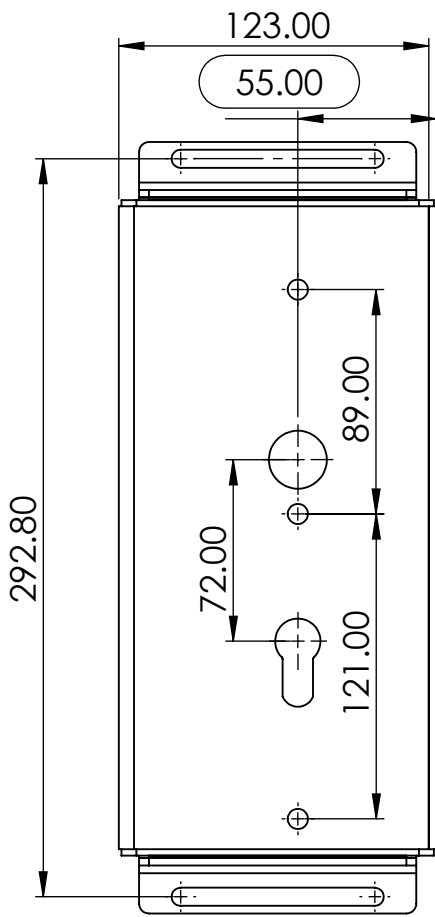
Date:

12 December 2025

Sheet Scale: 1:2

Sheet 9 Of 18

Gardner Engineering Limited (GE) makes no representation or warranties, express or implied, with respect to the reuse of the data provided herewith, regardless of its format or the means of its transmission. We make every effort to ensure accurate information, however there is no guarantee or representation to the user as to the accuracy, currency, suitability or reliability of this data. The user assumes all risks associated with its use. GE assumes no responsibility for actual or consequential damage incurred as a result of any user's reliance on this data



.Material Thickness 3mm
.Available in mild steel or 304 Stainless steel
.M5 X 16 Countersunk screw X 6 provided



**Gardner
Engineering
Limited**

Notes:

All Tolerances +/- 0.5% unless otherwise Stated
 All Measurements are Raw Materials Only and allowances are needed for Welding Tracks & any additional coatings such as Powder Coating / Spray Paints Etc

Part Number:

LOCK-CASSETTE-UNI-EL56-55-MS/SS RAL9005
 LOCK-CASSETTE-UNI-EL56-55-MS/SS RAL9005

Description:

55mm (ASSA EL RANGE) UNIVERSAL LOCK CASSETTE

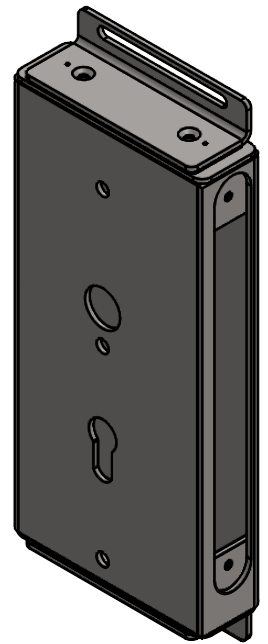
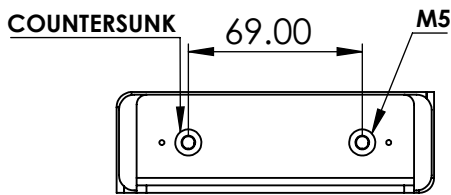
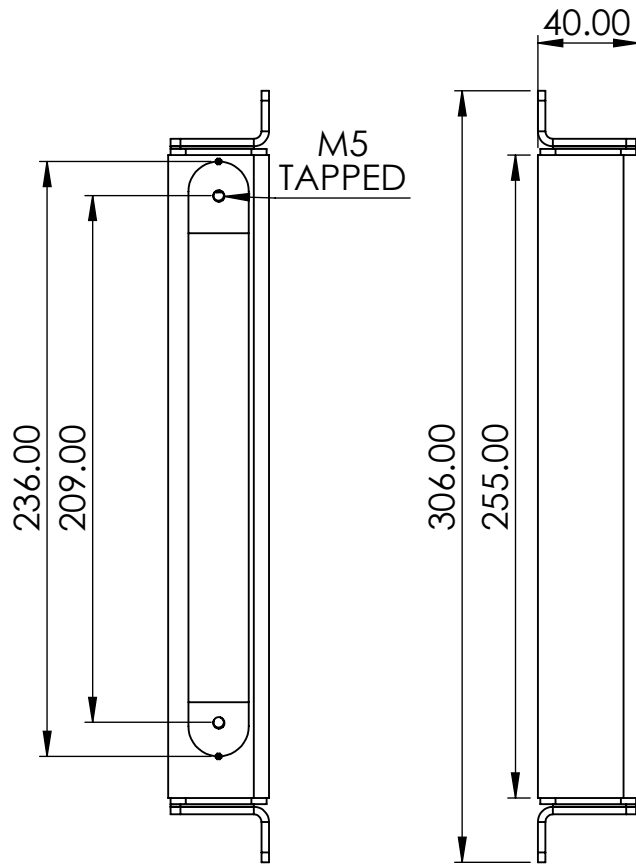
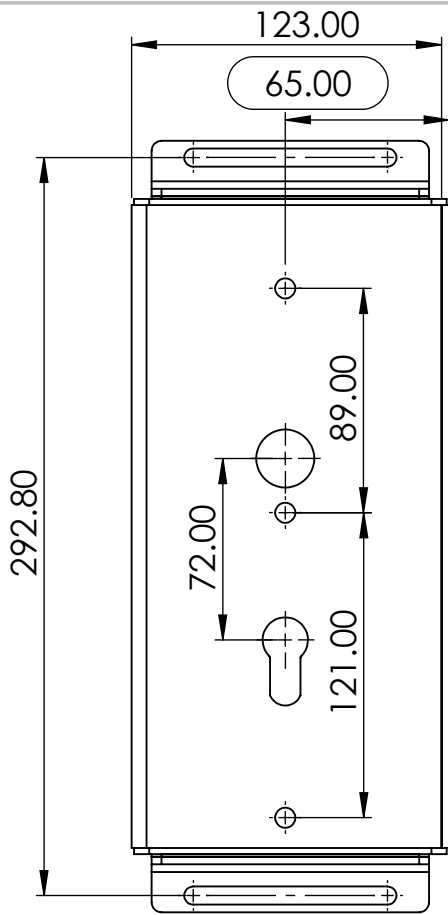
Date:

12 December 2025

Sheet Scale: 1:3

Sheet 10 Of 18

Gardner Engineering Limited (GE) makes no representation or warranties, express or implied, with respect to the reuse of the data provided herewith, regardless of its format or the means of its transmission. We make every effort to ensure accurate information, however there is no guarantee or representation to the user as to the accuracy, currency, suitability or reliability of this data. The user assumes all risks associated with its use. GE assumes no responsibility for actual or consequential damage incurred as a result of any user's reliance on this data



.Material Thickness 3mm
.Available in mild steel or 304 Stainless steel
.M5 X 16 Countersunk screw X 6 provided



Gardner
Engineering
Limited

Notes:

All Tolerances +/- 0.5% unless otherwise Stated
 All Measurements are Raw Materials Only and allowances are needed for Welding Tracks & any additional coatings such as Powder Coating / Spray Paints Etc

Part Number:

LOCK-CASSETTE-UNI-EL56-65-MS/SS RAL9005
 LOCK-CASSETTE-UNI-EL56-65-MS/SS RAL9005

Description:

65mm (ASSA EL RANGE) UNIVERSAL LOCK CASSETTE

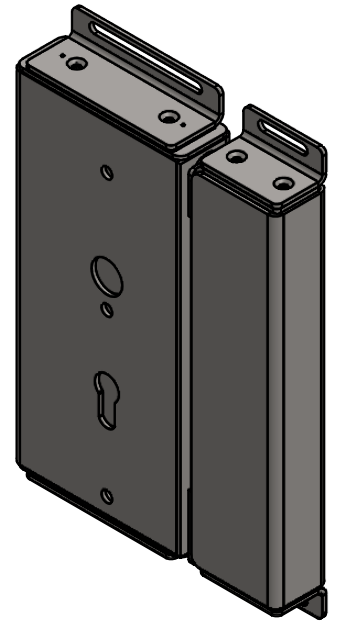
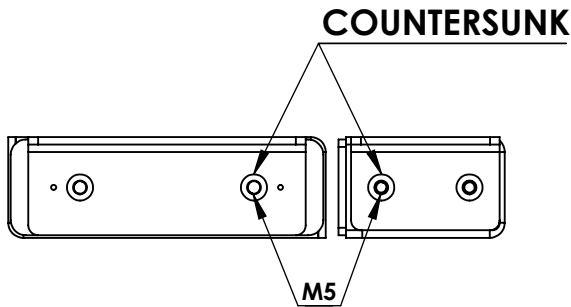
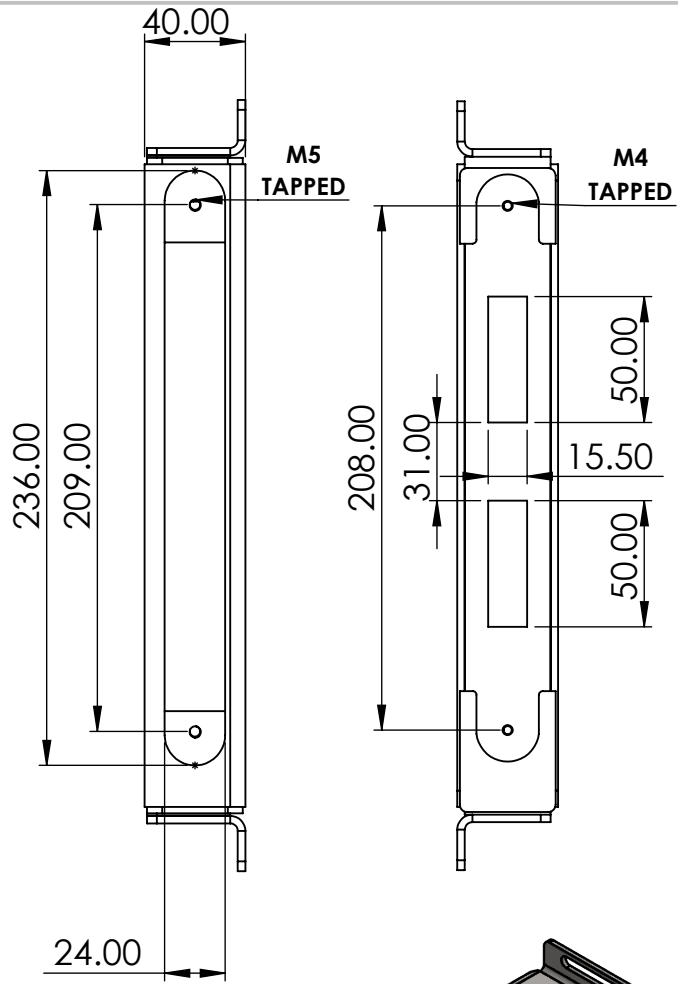
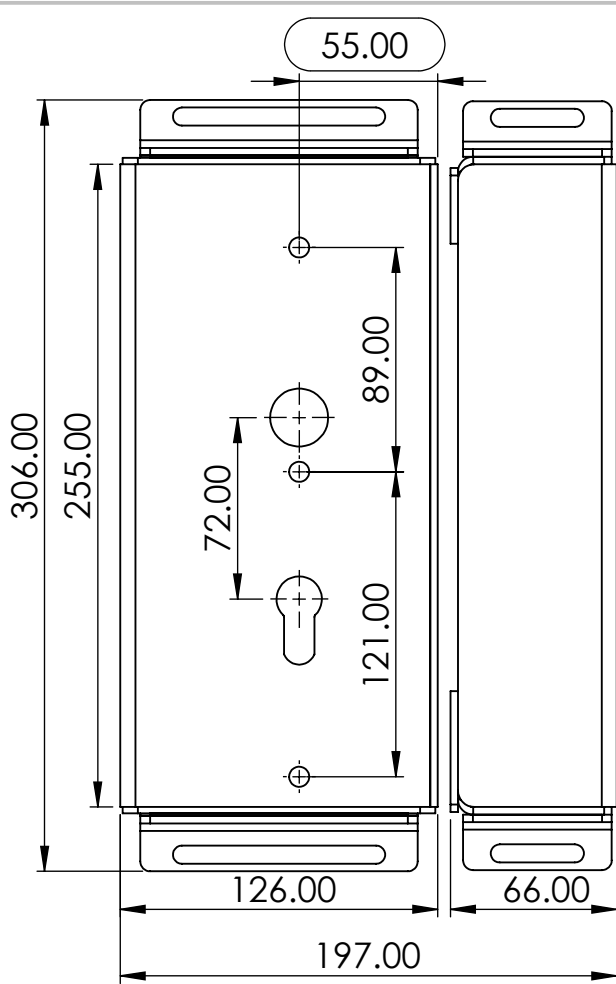
Date:

12 December 2025

Sheet Scale: 1:3

Sheet 11 Of 18

Gardner Engineering Limited (GE) makes no representation or warranties, express or implied, with respect to the reuse of the data provided herewith, regardless of its format or the means of its transmission. We make every effort to ensure accurate information, however there is no guarantee or representation to the user as to the accuracy, currency, suitability or reliability of this data. The user assumes all risks associated with its use. GE assumes no responsibility for actual or consequential damage incurred as a result of any user's reliance on this data



.Material Thickness 3mm
.Available in mild steel or 304 Stainless steel
.M5 X 16 Countersunk screw X 10 provided
.M4 X 10 Countersunk screw X 2 provided



**Gardner
Engineering
Limited**

Notes:

All Tolerances +/- 0.5% unless otherwise Stated
 All Measurements are Raw Materials Only and allowances are needed for Welding Tracks & any additional coatings such as Powder Coating / Spray Paints Etc

Part Number:

LOCK-CASE-UNI-EL56X55-BODO-MILD STEELRAL9005
 LOCK-CASE-UNI-EL56X55-BODO-MILD STEELRAL9005

Description:

55mm (ASSA EL RANGE) UNIVERSAL LOCK & CASSETTE ONLY

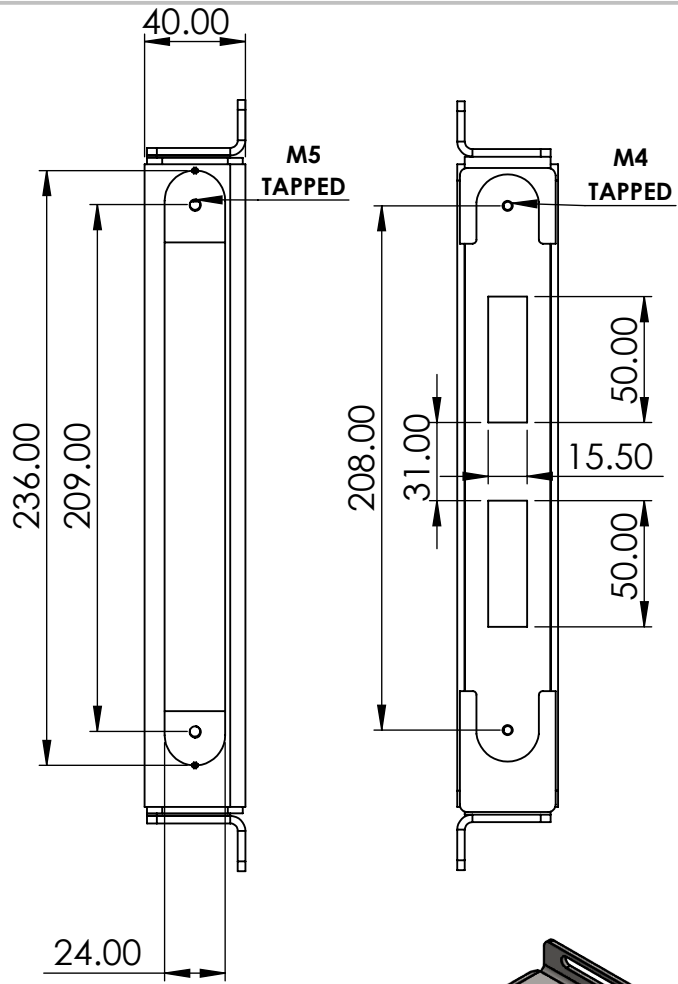
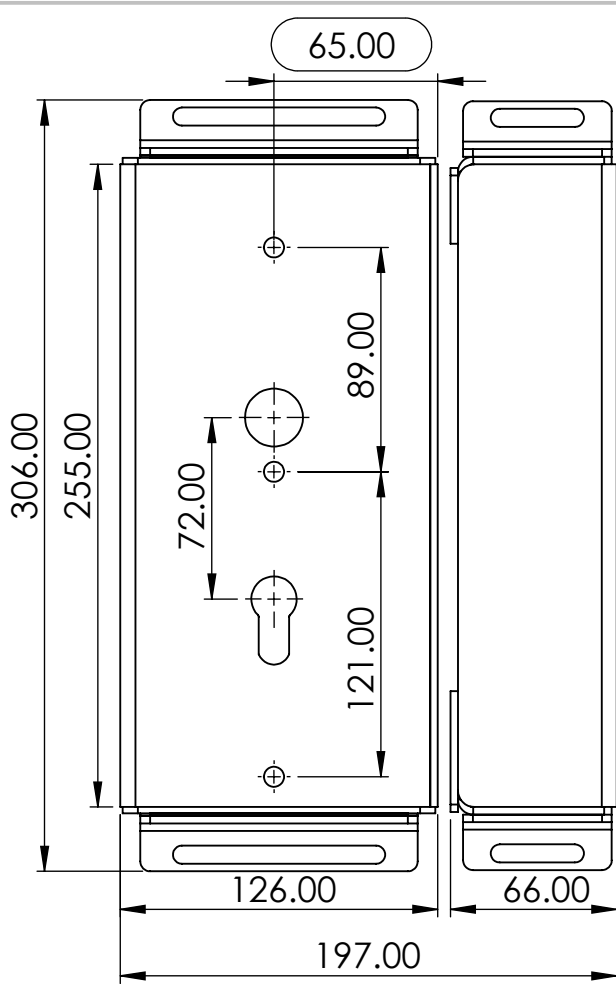
Date:

12 December 2025

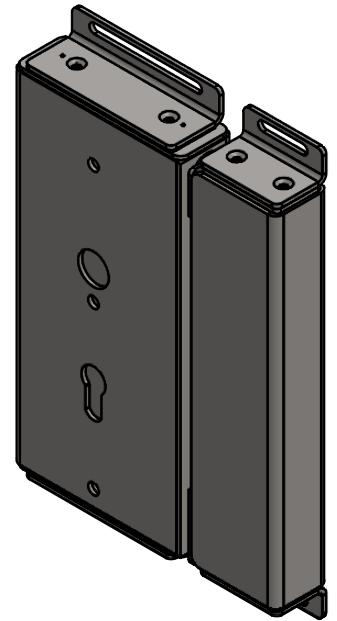
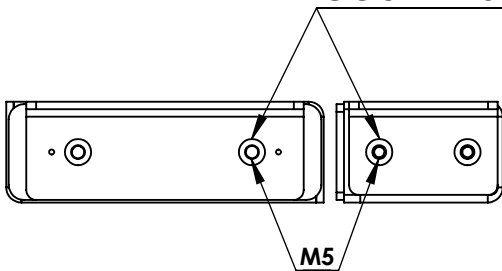
Sheet Scale: 1:3

Sheet 12 Of 18

Gardner Engineering Limited (GE) makes no representation or warranties, express or implied, with respect to the reuse of the data provided herewith, regardless of its format or the means of its transmission. We make every effort to ensure accurate information, however there is no guarantee or representation to the user as to the accuracy, currency, suitability or reliability of this data. The user assumes all risks associated with its use. GE assumes no responsibility for actual or consequential damage incurred as a result of any user's reliance on this data



COUNTERSUNK



- .Material Thickness 3mm
- .Available in mild steel or 304 Stainless steel
- .M5 X 16 Countersunk screw X 10 provided
- .M4 X 10 Countersunk screw X 2 provided



**Gardner
Engineering
Limited**

Notes:

All Tolerances +/- 0.5% unless otherwise Stated
 All Measurements are Raw Materials Only and allowances are needed for Welding Tracks & any additional coatings such as Powder Coating / Spray Paints Etc

Part Number:

LOCK-CASE-UNI-EL56X65-BODO-MILD STEELRAL9005
 LOCK-CASE-UNI-EL56X65-BODO-MILD STEELRAL9005

Description:

65mm (ASSA EL RANGE) UNIVERSAL LOCK & CASSETTE ONLY

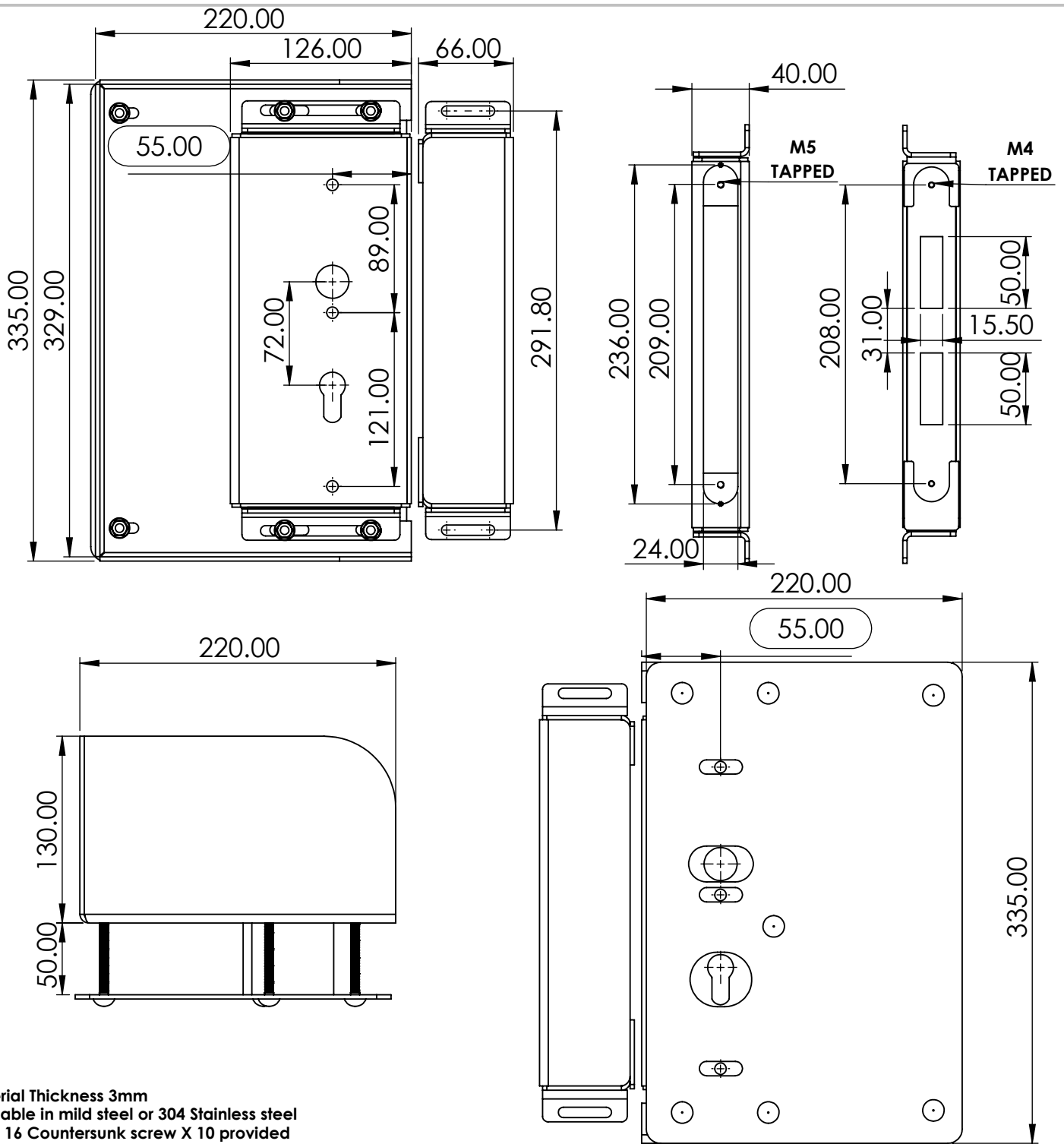
Date:

12 December 2025

Sheet Scale: 1:3

Sheet 13 Of 18

Gardner Engineering Limited (GE) makes no representation or warranties, express or implied, with respect to the reuse of the data provided herewith, regardless of its format or the means of its transmission. We make every effort to ensure accurate information, however there is no guarantee or representation to the user as to the accuracy, currency, suitability or reliability of this data. The user assumes all risks associated with its use. GE assumes no responsibility for actual or consequential damage incurred as a result of any user's reliance on this data



- .Material Thickness 3mm
- .Available in mild steel or 304 Stainless steel
- .M5 X 16 Countersunk screw X 10 provided
- .M4 X 10 Countersunk screw X 2 provided
- .M6X100 CoachBolt X 6 Provided
- .M6X40 CoachBolt X 1 Provided



Gardner
Engineering
Limited

Notes:

All Tolerances +/- 0.5% unless otherwise Stated
All Measurements are Raw Materials Only and allowances are needed for Welding Tracks & any additional coatings such as Powder Coating / Spray Paints Etc

Part Number:

LOCK-CASE-UNI-EL56X55-KIT-MS/SS
RAL9005

Description:

55MM (ASSA EL RANGE) UNIVERSAL GATE
LOCK CASSETTE KIT SS/MS - RAL9005

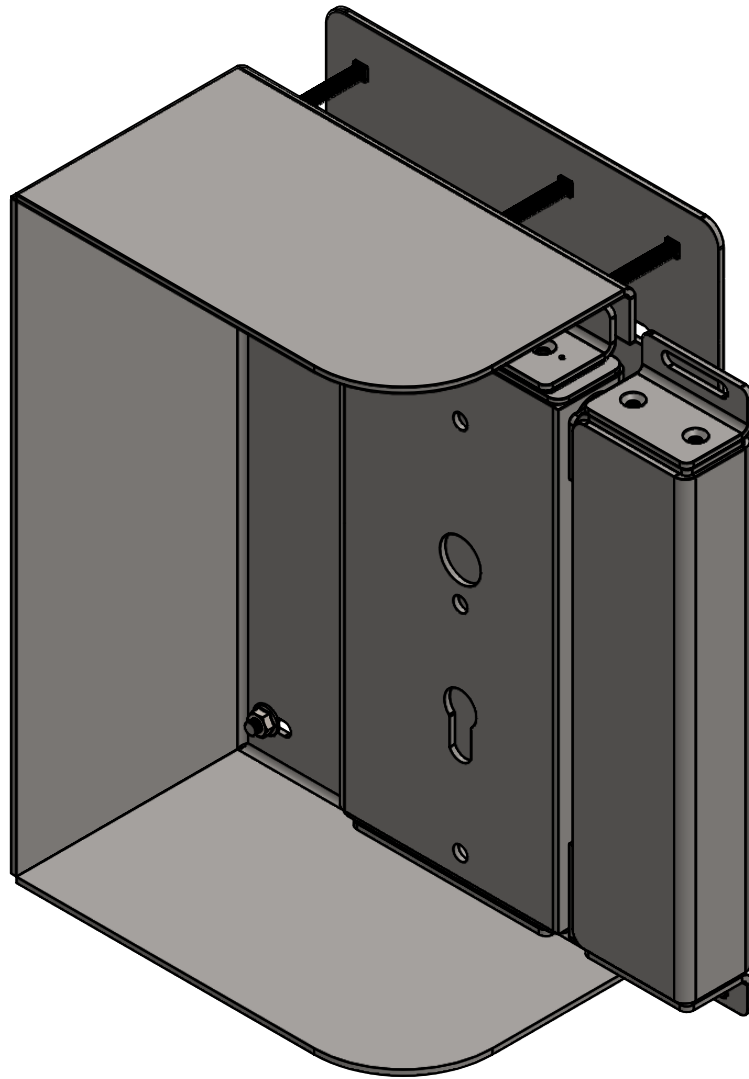
Date:

12 December 2025

Sheet Scale: 1:4

Sheet 14 Of 18

Gardner Engineering Limited (GE) makes no representation or warranties, express or implied, with respect to the reuse of the data provided herewith, regardless of its format or the means of its transmission. We make every effort to ensure accurate information, however there is no guarantee or representation to the user as to the accuracy, currency, suitability or reliability of this data. The user assumes all risks associated with its use. GE assumes no responsibility for actual or consequential damage incurred as a result of any user's reliance on this data



- .Material Thickness 3mm
- .Available in mild steel or 304 Stainless steel
- .M5 X 16 Countersunk screw X 10 provided
- .M4 X 10 Countersunk screw X 2 provided
- .M6X100 CoachBolt X 6 Provided
- .M6X40 CoachBolt X 1 Provided



Gardner
Engineering
Limited

Notes:

All Tolerances +/- 0.5% unless otherwise Stated
 All Measurements are Raw Materials Only and allowances are needed for Welding Tracks & any additional coatings such as Powder Coating / Spray Paints Etc

Part Number:

LOCK-CASE-UNI-EL56X55-KIT-MS/SS
RAL9005

Description:

55MM (ASSA EL RANGE) UNIVERSAL GATE
LOCK CASSETTE KIT SS/MS - RAL9005

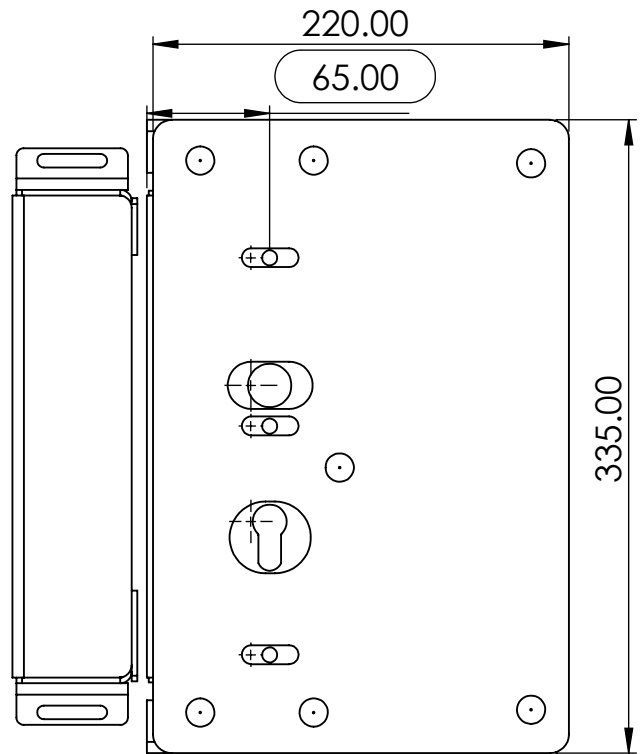
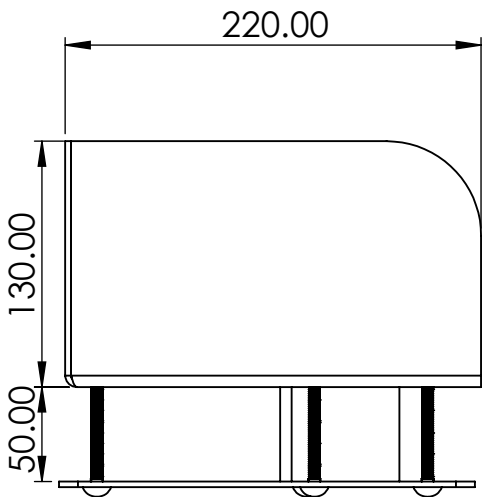
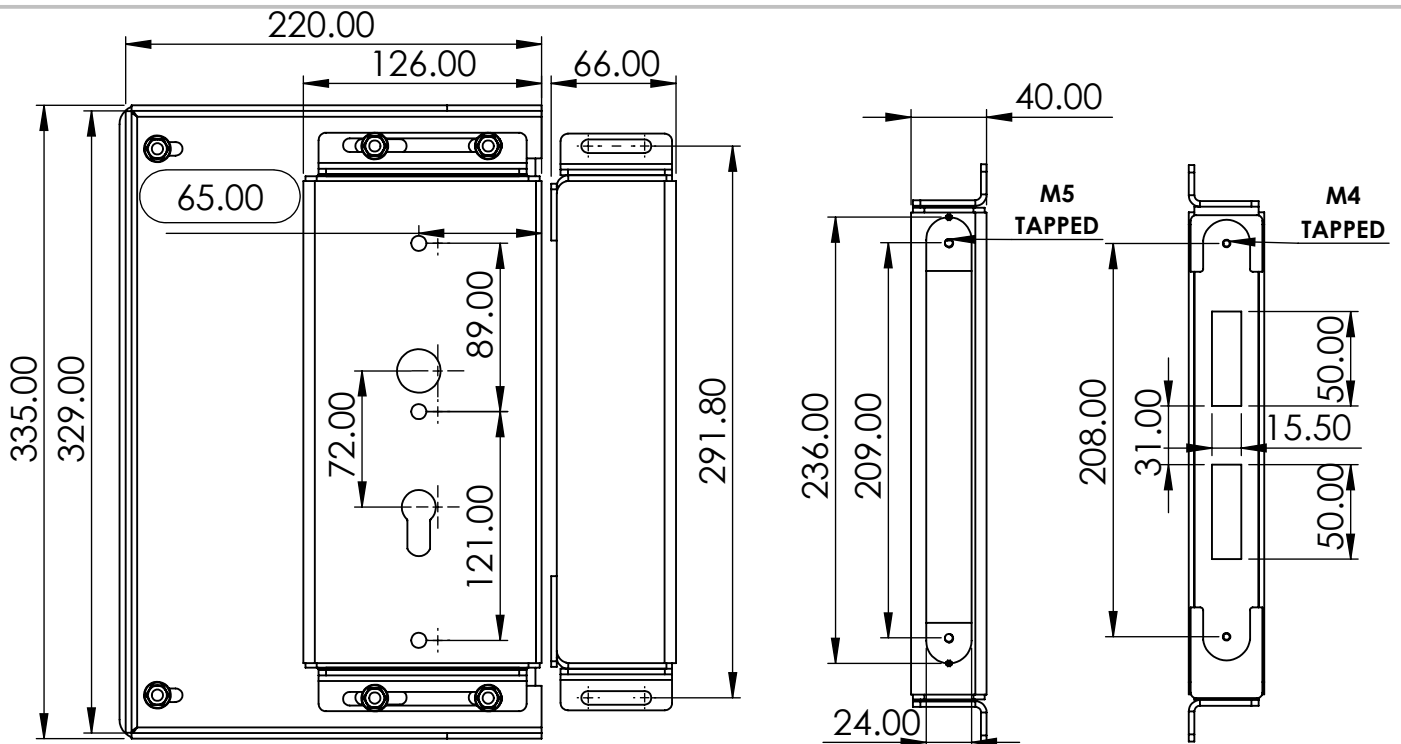
Date:

12 December 2025

Sheet Scale: 1:3

Sheet 15 Of 18

Gardner Engineering Limited (GE) makes no representation or warranties, express or implied, with respect to the reuse of the data provided herewith, regardless of its format or the means of its transmission. We make every effort to ensure accurate information, however there is no guarantee or representation to the user as to the accuracy, currency, suitability or reliability of this data. The user assumes all risks associated with its use. GE assumes no responsibility for actual or consequential damage incurred as a result of any user's reliance on this data



- .Material Thickness 3mm
- .Available in mild steel or 304 Stainless steel
- .M5 X 16 Countersunk screw X 10 provided
- .M4 X 10 Countersunk screw X 2 provided
- .M6X100 CoachBolt X 6 Provided
- .M6X40 CoachBolt X 1 Provided



**Gardner
Engineering
Limited**

Notes:

All Tolerances +/- 0.5% unless otherwise Stated
 All Measurements are Raw Materials Only and allowances are needed for Welding Tracks & any additional coatings such as Powder Coating / Spray Paints Etc

Part Number:

LOCK-CASE-UNI-EL56X65-KIT-MS/SS
 RAL9005

Description:

65MM (ASSA EL RANGE) UNIVERSAL GATE
 LOCK CASSETTE KIT SS/MS - RAL9005

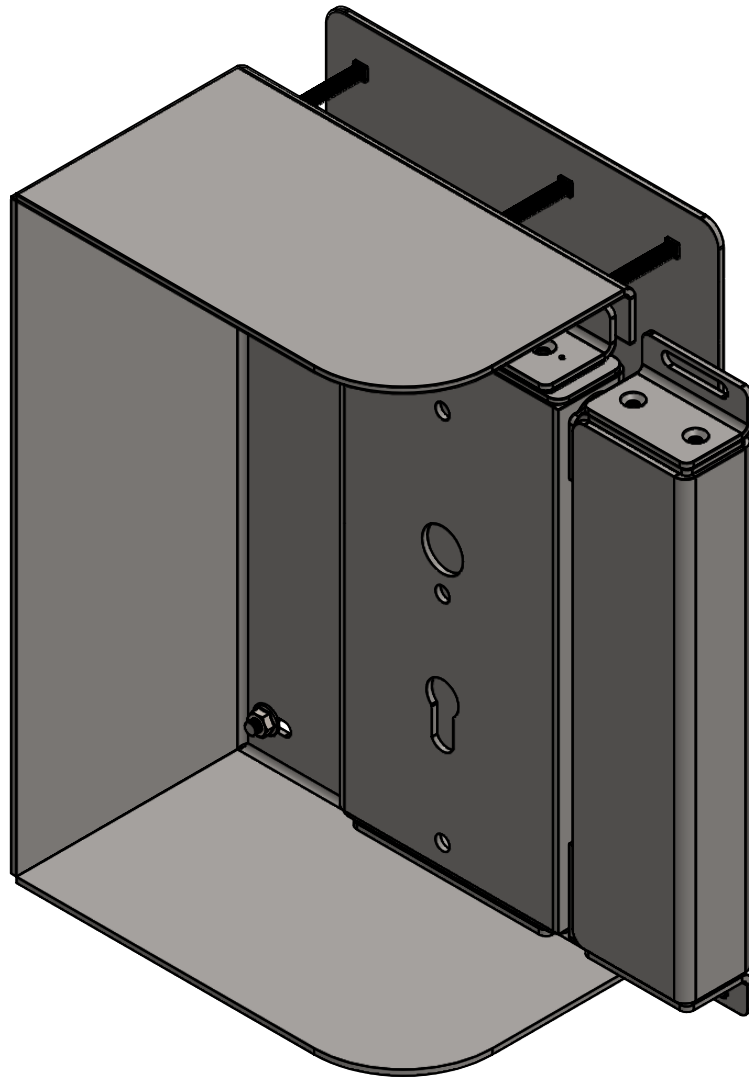
Date:

12 December 2025

Sheet Scale: 1:4

Sheet 16 Of 18

Gardner Engineering Limited (GE) makes no representation or warranties, express or implied, with respect to the reuse of the data provided herewith, regardless of its format or the means of its transmission. We make every effort to ensure accurate information, however there is no guarantee or representation to the user as to the accuracy, currency, suitability or reliability of this data. The user assumes all risks associated with its use. GE assumes no responsibility for actual or consequential damage incurred as a result of any user's reliance on this data



- .Material Thickness 3mm
- .Available in mild steel or 304 Stainless steel
- .M5 X 16 Countersunk screw X 10 provided
- .M4 X 10 Countersunk screw X 2 provided
- .M6X100 CoachBolt X 6 Provided
- .M6X40 CoachBolt X 1 Provided



Gardner
Engineering
Limited

Notes:

All Tolerances +/- 0.5% unless otherwise Stated
 All Measurements are Raw Materials Only and allowances are needed for Welding Tracks & any additional coatings such as Powder Coating / Spray Paints Etc

Part Number:

LOCK-CASE-UNI-EL56X65-KIT-MS/SS
RAL9005

Description:

65MM (ASSA EL RANGE) UNIVERSAL GATE
LOCK CASSETTE KIT SS/MS - RAL9005

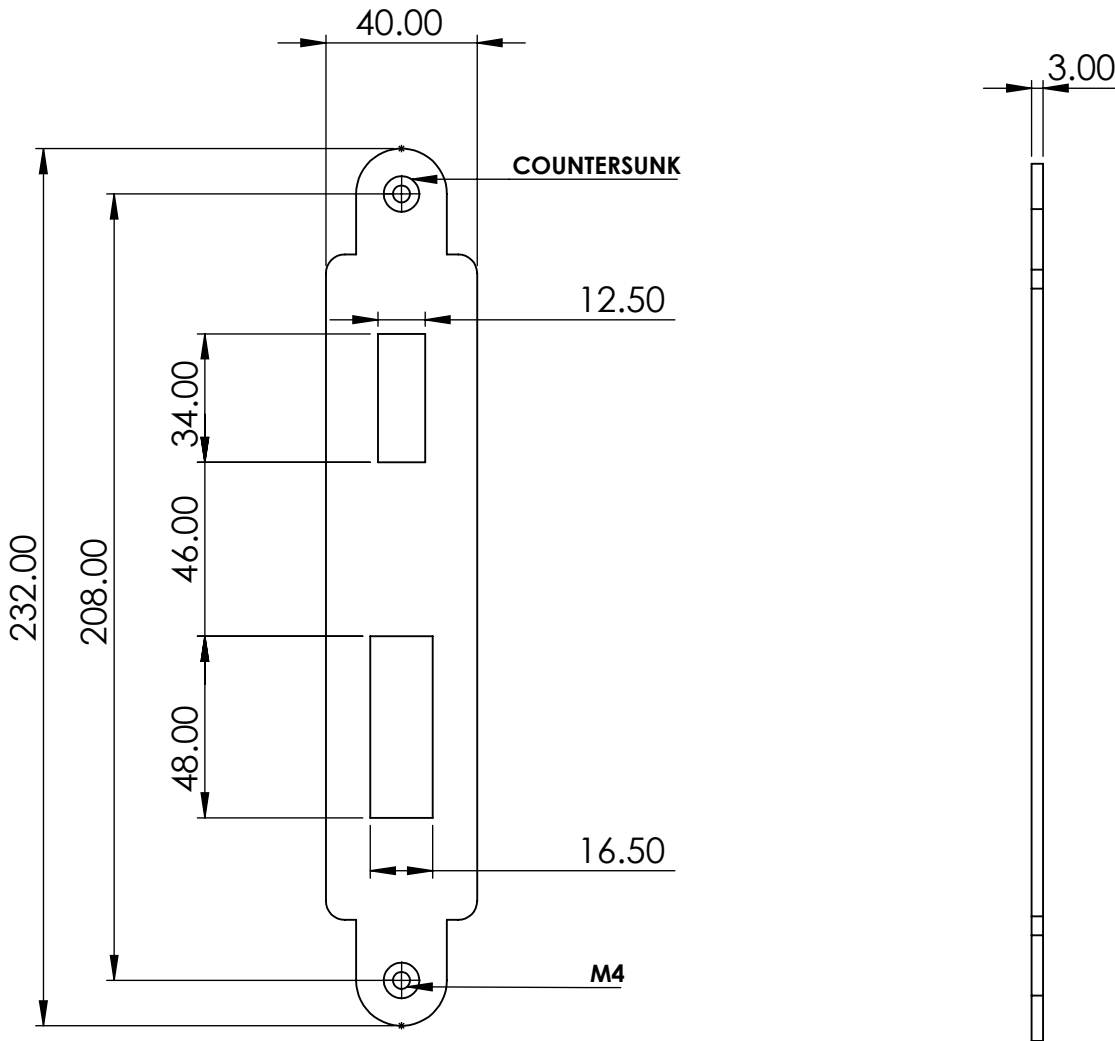
Date:

12 December 2025

Sheet Scale: 1:3

Sheet 17 Of 18

Gardner Engineering Limited (GE) makes no representation or warranties, express or implied, with respect to the reuse of the data provided herewith, regardless of its format or the means of its transmission. We make every effort to ensure accurate information, however there is no guarantee or representation to the user as to the accuracy, currency, suitability or reliability of this data. The user assumes all risks associated with its use. GE assumes no responsibility for actual or consequential damage incurred as a result of any user's reliance on this data



.Available in 304 Stainless steel
.M4 X 10 Countersunk screw X 2 provided



Gardner
Engineering
Limited

Notes:

All Tolerances +/- 0.5% unless otherwise Stated
All Measurements are Raw Materials Only and allowances are needed for Welding Tracks & any additional coatings such as Powder Coating / Spray Paints Etc

Part Number:

GE-00150

Description:

Lock Cassette Universal Strike Plate

Date:

12 December 2025

Sheet Scale: 1:2

Sheet 18 Of 18

Gardner Engineering Limited (GE) makes no representation or warranties, express or implied, with respect to the reuse of the data provided herewith, regardless of its format or the means of its transmission. We make every effort to ensure accurate information, however there is no guarantee or representation to the user as to the accuracy, currency, suitability or reliability of this data. The user assumes all risks associated with its use. GE assumes no responsibility for actual or consequential damage incurred as a result of any user's reliance on this data