

Gardner  
Engineering  
Limited

**Notes:**

All Tolerances +/- 0.5% unless otherwise Stated

All Measurements are in mm and relate to Raw Materials Only and allowances are needed for Welding Tracks & any additional coatings such as Powder Coating / Spray Paints Etc

Part Number:

3HHSC

Description:

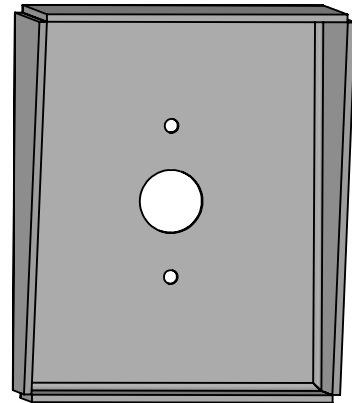
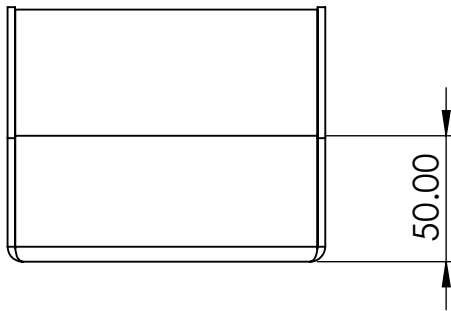
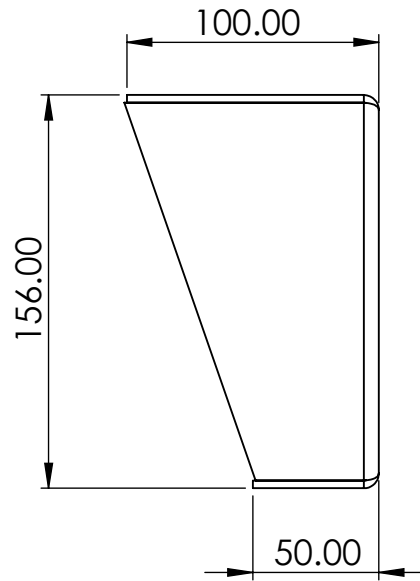
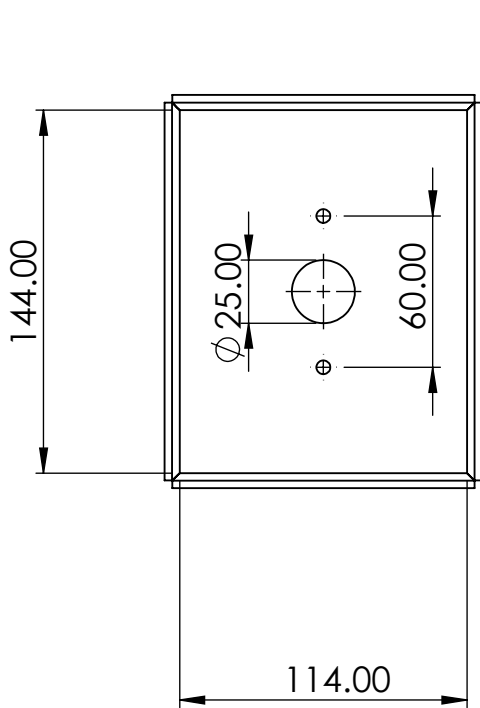
3 Hole Horizontal Small Cowl

Date:

06 March 2026

Sheet Scale: 1:3

Sheet 1 Of 4



Gardner  
Engineering  
Limited

**Notes:**

All Tolerances +/- 0.5% unless otherwise Stated

All Measurements are in mm and relate to Raw Materials Only and allowances are needed for Welding Tracks & any additional coatings such as Powder Coating / Spray Paints Etc

Part Number:

3HVSC

Description:

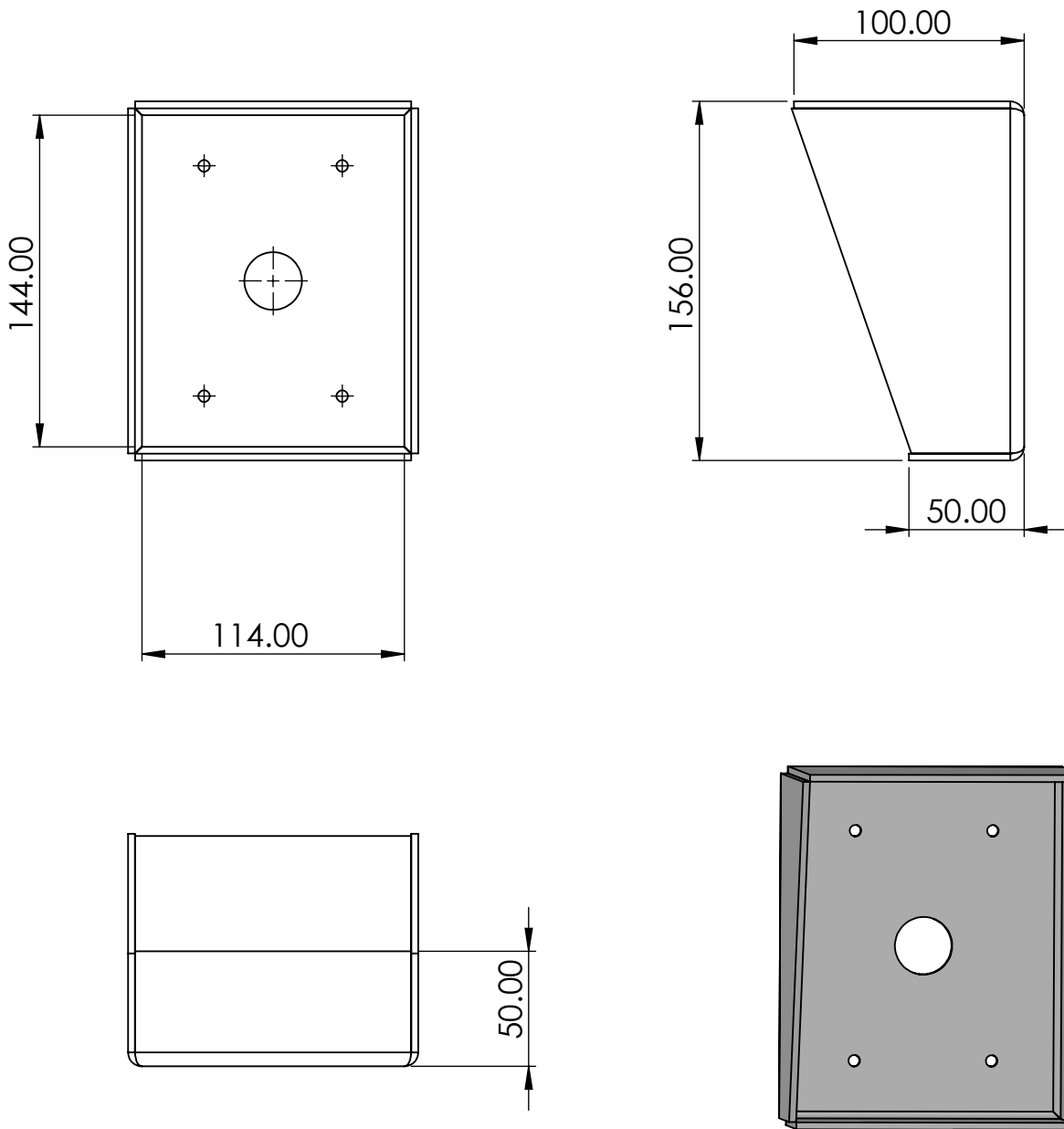
3 Hole Vertical Small Cowl

Date:

06 March 2026

Sheet Scale: 1:3

Sheet 2 Of 4



Gardner  
Engineering  
Limited

**Notes:**

All Tolerances +/- 0.5% unless otherwise Stated

All Measurements are in mm and relate to Raw Materials Only and allowances are needed for Welding Tracks & any additional coatings such as Powder Coating / Spray Paints Etc

Part Number:

5HSC

Description:

5 Hole Horizontal Small Cowl

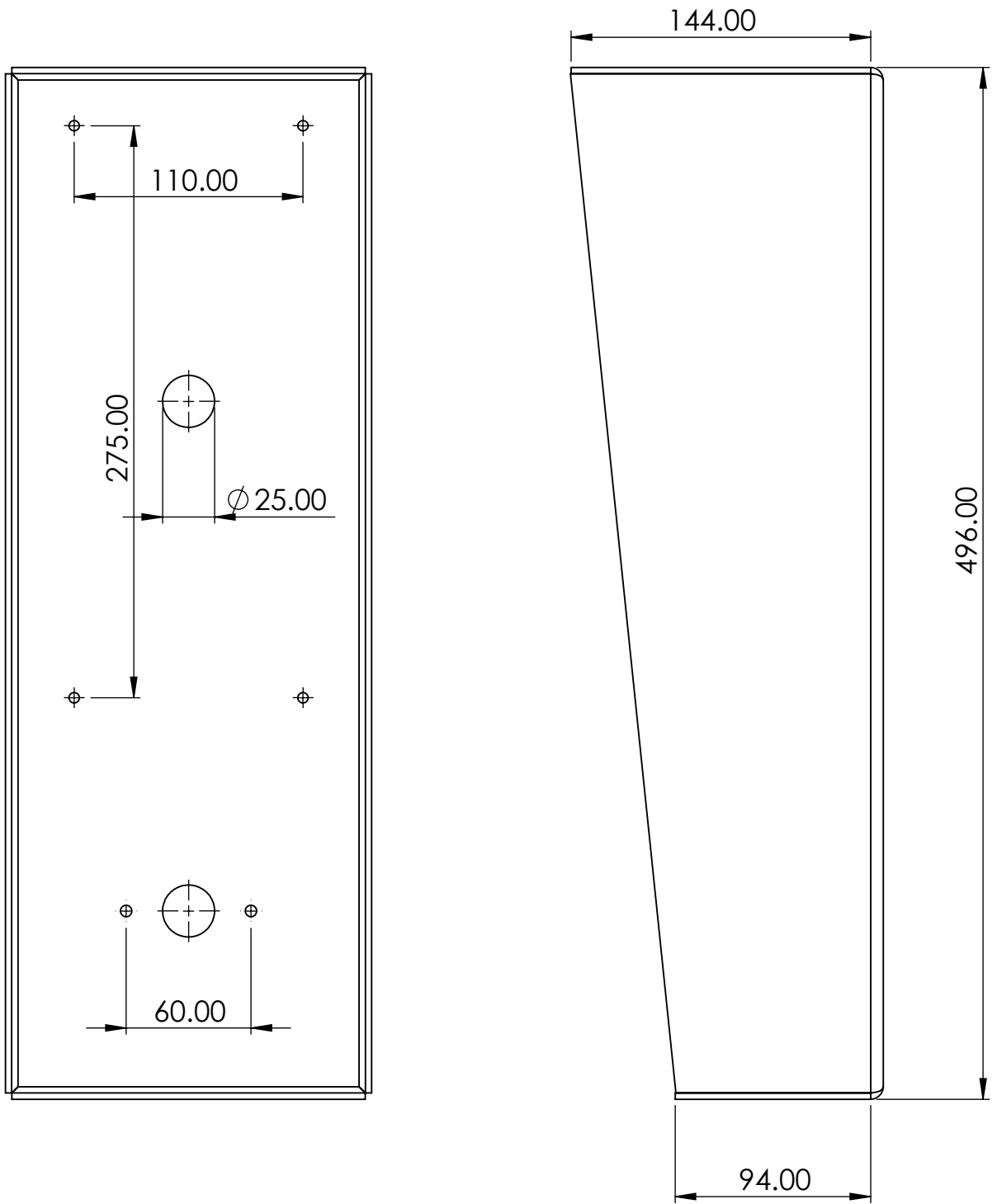
Date:

06 March 2026

Sheet Scale: 1:3

Sheet 3 Of 4

Gardner Engineering Limited (GE) makes no representation or warranties, express or implied, with respect to the reuse of the data provided herewith, regardless of its format or the means of its transmission. We make every effort to ensure accurate information, however there is no guarantee or representation to the user as to the accuracy, currency, suitability or reliability of this data. The user assumes all risks associated with its use. GE assumes no responsibility for actual or consequential damage incurred as a result of any user's reliance on this data



Gardner Engineering Limited

**Notes:**

All Tolerances +/- 0.5% unless otherwise Stated  
 All Measurements are in mm and relate to Raw Materials Only and allowances are needed for Welding Tracks & any additional coatings such as Powder Coating / Spray Paints Etc

Part Number:

8HRC

Description:

Dual Device Surface Cowl

Date:

06 March 2026

Sheet Scale: 1:3

Sheet 4 Of 4

Gardner Engineering Limited (GE) makes no representation or warranties, express or implied, with respect to the reuse of the data provided herewith, regardless of its format or the means of its transmission. We make every effort to ensure accurate information, however there is no guarantee or representation to the user as to the accuracy, currency, suitability or reliability of this data. The user assumes all risks associated with its use. GE assumes no responsibility for actual or consequential damage incurred as a result of any user's reliance on this data