

Gardner
Engineering
Limited

Notes:

All Tolerances +/- 0.5% unless otherwise Stated

All Measurements are in mm and relate to Raw Materials Only and allowances are needed for Welding Tracks & any additional coatings such as Powder Coating / Spray Paints Etc

Part Number:

T-3HVP

Description:

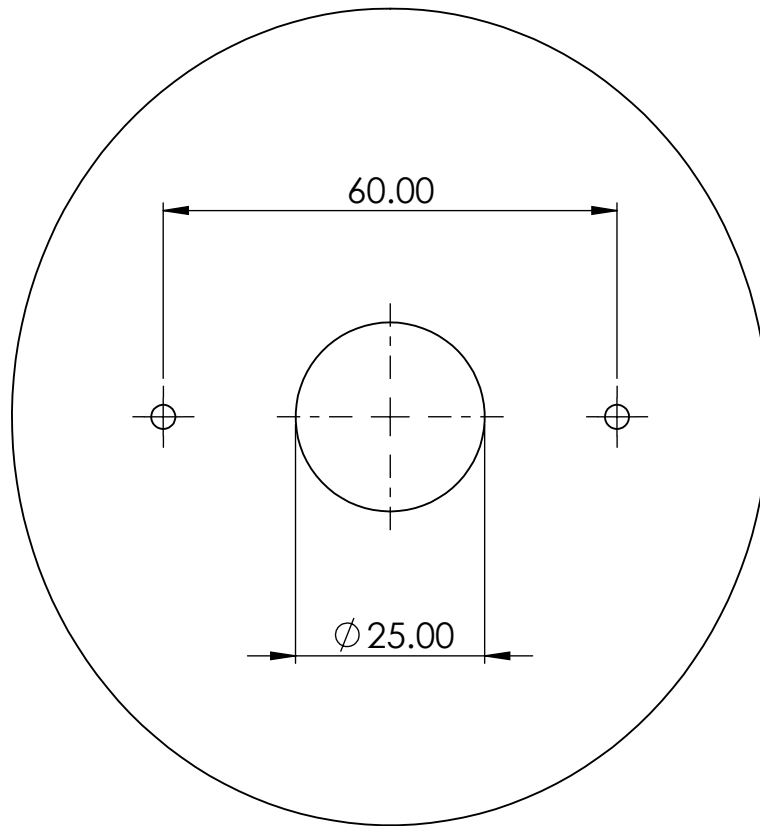
3 Hole Vertical Plate for 100mm Tubular Post

Date:

06 March 2026

Sheet Scale: 1:1

Sheet 1 Of 2



Gardner
Engineering
Limited

Notes:

All Tolerances +/- 0.5% unless otherwise Stated

All Measurements are in mm and relate to Raw Materials Only and allowances are needed for Welding Tracks & any additional coatings such as Powder Coating / Spray Paints Etc

Part Number:

T-3HHP

Description:

3 Hole Horizontal Plate for 100mm Tubular Post

Date:

06 March 2026

Sheet Scale: 1:1

Sheet 2 Of 2